

# TEMPERATURE SENSOR - FLUSHMOUNT

Energy Management



The Vantage Temperature Sensor - Flushmount is a sensor able to report the temperature measured in the area of installation. Ideal for accurate and independent temperature measurement in situations where no thermostat cabling is foreseen.

This sensor is connected directly on a Vantage station sensor input (for example keypad station, CIS, IRXII, SLDS, LVOS, ...). The temperature sensor is able to measure accurately temperatures in between  $-16^{\circ}\text{C}$  ( $3^{\circ}\text{F}$ ) and  $110^{\circ}\text{C}$  ( $230^{\circ}\text{F}$ ).



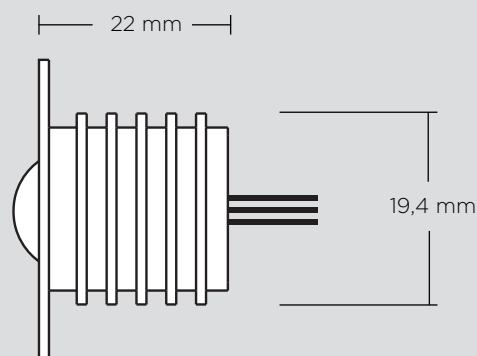
## Product Highlights

- Extremely small temperature sensor
- Accurate temperature measurement
- Low operation power consumption
- Can be wired to the auxiliary input on the back of any Vantage keypad station
- Can be wired as a contact input to different Vantage stations with a sensor input available
- Mounts without screws
- Installs up to 30m from the host station
- Compliments to any decor with an ultra-slim, inconspicuous design
- Adapts to match any room by painting the trim

# Temperature Sensor - Flushmount



FRONT VIEW



SIDE VIEW

## Specifications

### Dimensions, HWD

30mm x 22mm x 19,4mm  
1,18" x 0,86" x 0,76"

### General Specifications

Model	FL-TEMP
Temperature Sensor Signal	Frequency
Operation Power (Vcc)	12VDC
Current Drain	10mA
Mounting Possibilities	Wall (thermostat height)
Temperature Range	-16°C - 110°C (3°F - 230°F)
Optical Sensor	Ø 9,7 mm (0,38")
Dimensions (visible)	Ø 30 mm (1,18")
Cut-out dimensions	Ø 19,4 mm (0,76")
In-wall depth	21 mm (0,82") excl. wires

### System Compatibility

InFusion