

TPT1210-1 PEDESTAL MOUNTING DOCK — MODEL: TPT1210-1-PED

Overview

Vantage’s Pedestal Mounting Dock is designed to allow the TPT1210-1 touchscreen to be docked and undocked by simply setting or lifting on and off the dock. The dock has multiple positioning stand legs that allow different tilt angles for custom viewing. The mounting legs are also removable allowing the dock to be connected to any VESA mount device using 100mm or 75mm VESA mounting solutions. If using the VESA mount solution you must also order the optional Quick-Release Lock, part number TPT1210-1-QR. The dock provides pass-thru of all ports, including power. Make the transition from docked workstation to mobile companion effortlessly. It Includes an AC Adapter with power cord.

Specifications/Requirements

Description	Specification
Overall Dimensions, HWD	8.25" x 12.25" x 2.25" 210mm x 311mm x 57mm
Weight	1lb. 11.6 oz. – 782 g
Mounting	Free Stand or VESA mount 100/75mm
Optional Screen Locking Device	Locks Screen to Dock for VESA Mounting Options
Power Connection	AC Adaptor connection on dock
AC Adapter	Input: 100~240V, AC 50~60Hz, 1.7A Output: 20V DC, 3.25A
Network Connection	Standard RJ45 Network Connector
VGA External Monitor	Standard VGA Monitor Port
IEEE 1394	IEEE 1394 Port (Fire Wire)
USB Ports	4, USB ports
Operating Temperature	5°C ~ 35°C (41° F ~ 95° F)
Ambient Operating Humidity	5-95% non-condensing
System Requirements	This dock is compatible with all Vantage TPT1210-1 tablets

Installation

Installation of Vantage products should be performed or supervised by a *Certified Vantage Installer*.

Location / Electrical:

- Connect the barrel connector into the bottom of the VESA mount section on the back of the dock
- Connect the plug side to a 120/240VAC Outlet
- Connect an RJ45 network cable into the bottom of the VESA mount section on the back of the dock
- Connect any additional USB items, e.g., keyboard, mouse, etc. to the available USB ports – 4 USB ports total
- One IEEE 1394 port for video cameras etc.

Mounting / Dismounting TPT1210-1

MOUNT:

- Set the TPT1210-1 in the dock by inserting the bottom first into the self guiding cupped tray
- Carefully press back the top of the touchscreen tablet until it comes to its resting point in the dock
- Make sure it is setting flush with the back of the dock

REMOVE:

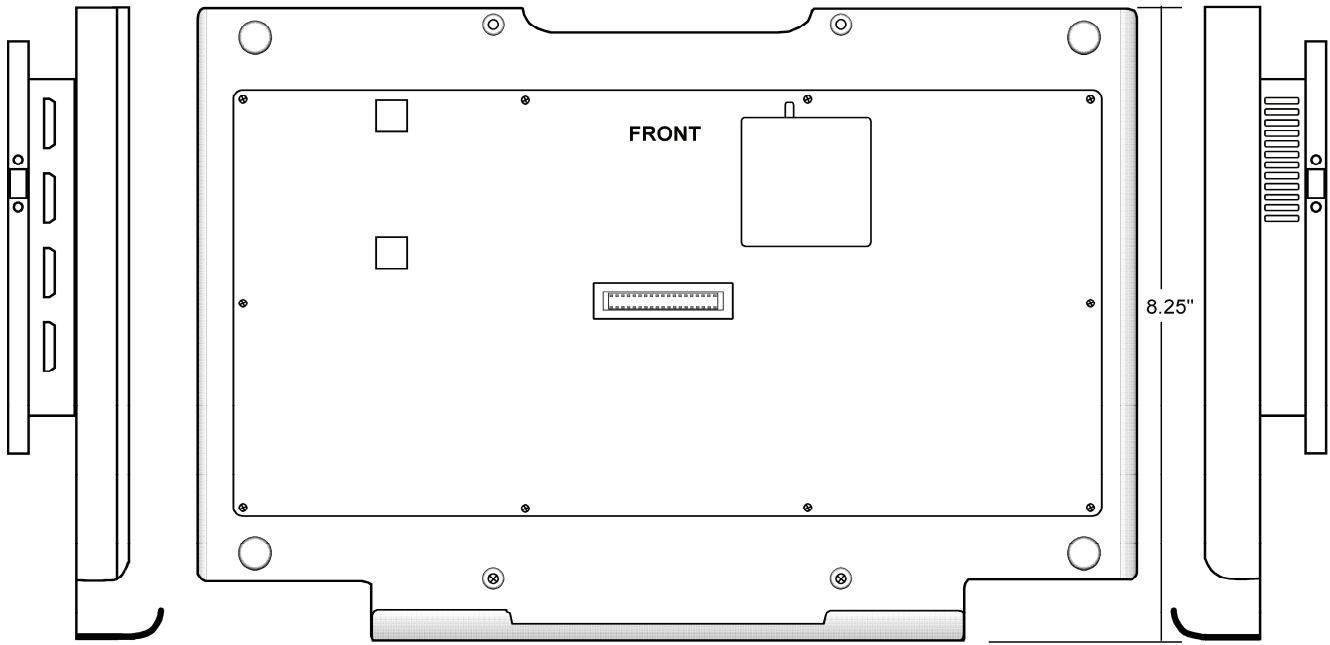
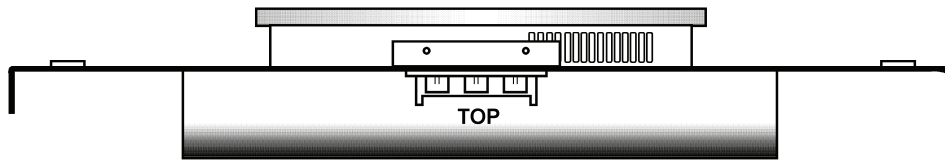
- Pull the TPT1210-1 forward at the top until it clears the docking connector
- Finish by carefully lifting the touchscreen from the dock tray

VESA Mounting

The dock will connect to any 100mm or 75mm VESA compliant mounting solution by removing the dock leg stand via the three screws holding the leg stand on. NOTE: when connecting to a VESA mount please connect the locking device to the top of the dock using the screws enclosed with the locking device. The Quick Release Locking device must be ordered separately, part number TPT1210-1-QR.

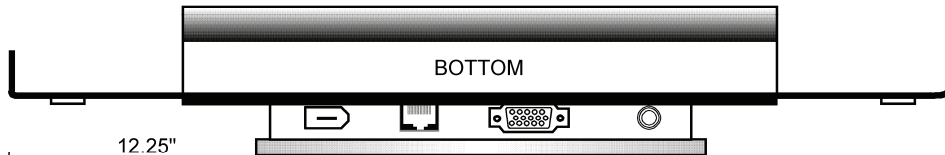


Optional Quick Release / Locking device
For VESA Mounting Solutions
Part Number: TPT1210-1-QR



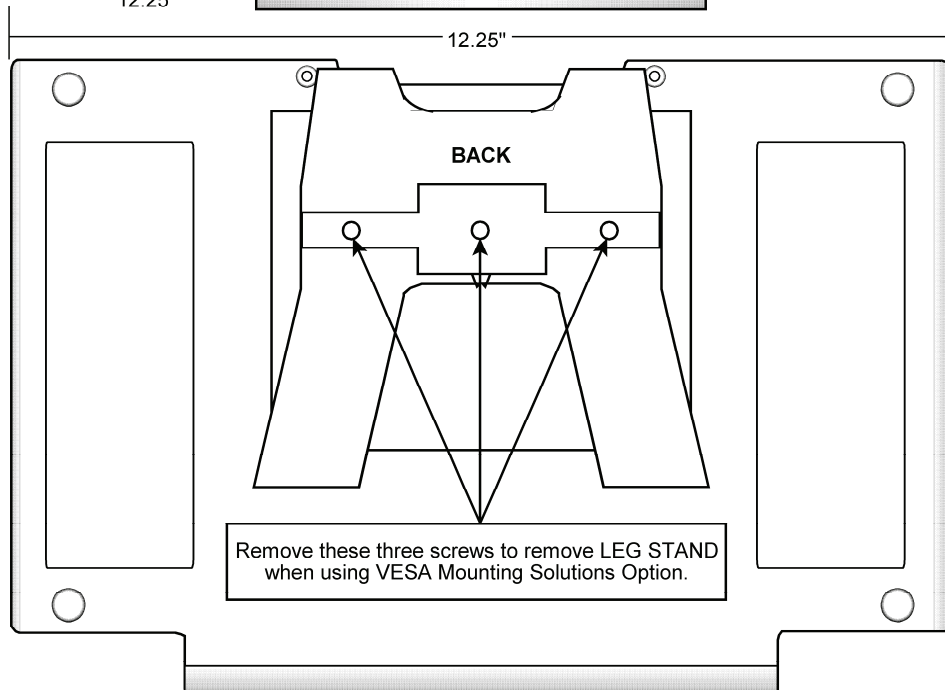
LEFT

RIGHT



12.25"

2.25"



Remove these three screws to remove LEG STAND
when using VESA Mounting Solutions Option.