

HVAC-INTERFACEPOINT

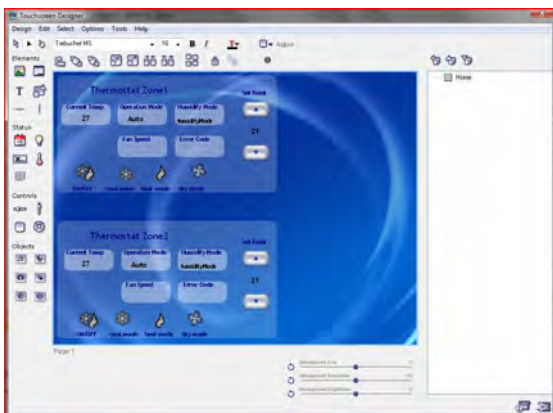
Integration Modules

The Vantage HVAC InterfacePoint makes it easy to integrate HVAC systems in the Vantage InFusion System.

4 different hardware devices are available: HVAC-ID (for Daikin), HVAC-IS (for Sanyo), HVAC-IT (for Toshiba), HVAC-IM (for Mitsubishi), but only 1 driver in the Vantage software. The HVAC Interface System gains full control on indoor units and provides access to the system parameters.

It allows homeowners full control with the Vantage System keypads, touchscreens, motion sensors, timers etc. and gives feedback from the actual temperature and setpoints on the TPT touchscreens.

It simply connects straight to the air conditioning system two wire communication lines and a Vantage RS-232 control port.

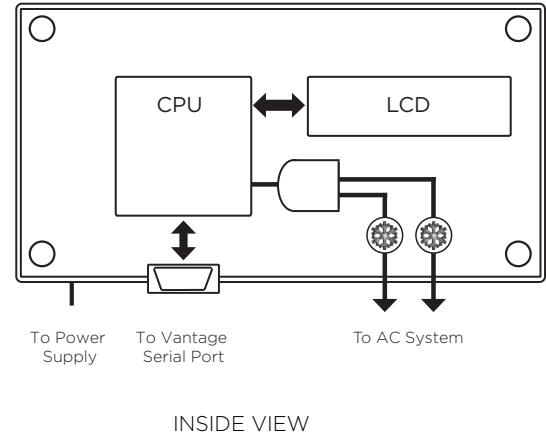
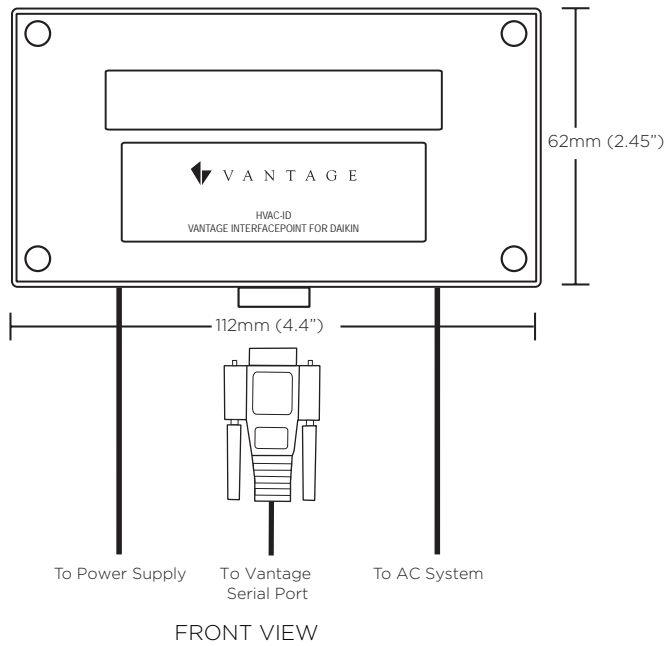


Easy set-up in InFusion Design Center

Product Highlights

- Full Control over Indoor Units Operation
On/Off control, Cool, Heat, Fan, Dry mode selection, Set Temperature Control, Fan Speed Control, Swing Control (for wall mounted and cassette indoor units), Filter Reset Sign, Group Operations (All On, All Off)
- Outdoor and Indoor Units Monitoring
Failure Alarms, Set point temperature, Operation status (on/off) Operation mode (cool/heat/fan/dry), Fan speed (high/low), Filter sign, Swing
- Compatible with Daikin/Sanyo/Toshiba/ Mitsubishi air conditioning systems

HVAC INTERFACEPOINT



Specifications

Dimensions, HWD

62mm x 112mm x 30mm
2.45"x4.4"x1.18"

General Specifications

Model	HVAC-InterfacePoint: HVAC-ID (for Daikin), HVAC-IS (for Sanyo) HVAC-IT (for Toshiba), HVAC-IM (for Mitsubishi)
Weight	125g (4.4oz)
Serial Connection	DB9 Female
HVAC Connection Line	Two screw terminals
Power Supply	9VDC 100mA included
LCD Display Information	On/Off control Cool, Heat, Fan, Dry mode selection Set Temperature Control, Fan Speed Control, Swing Control Filter Reset Sign, Group Operations

System Compatibility

- Q-Link control codes
- InFusion with feedback on the Vantage touchscreen